

4

3

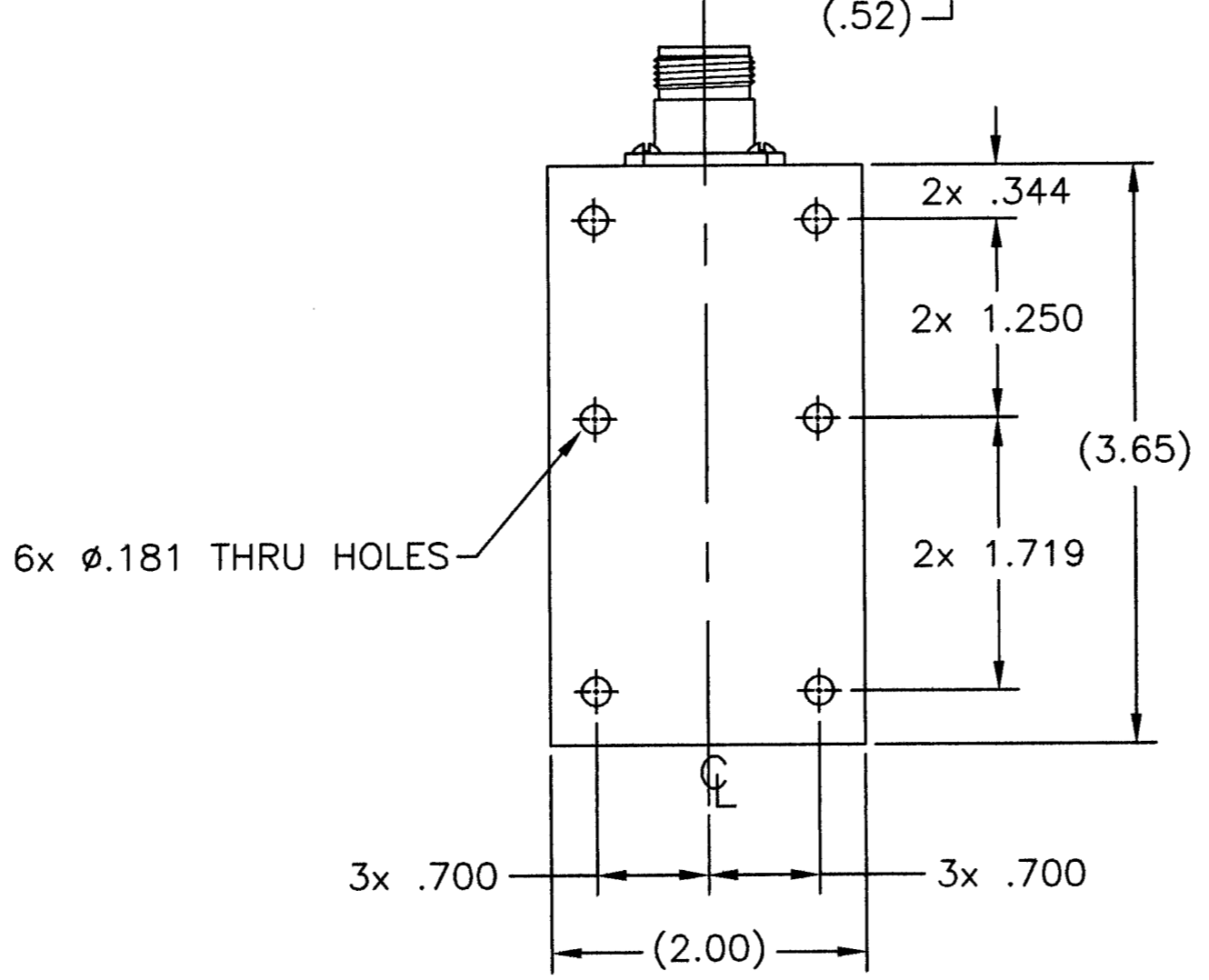
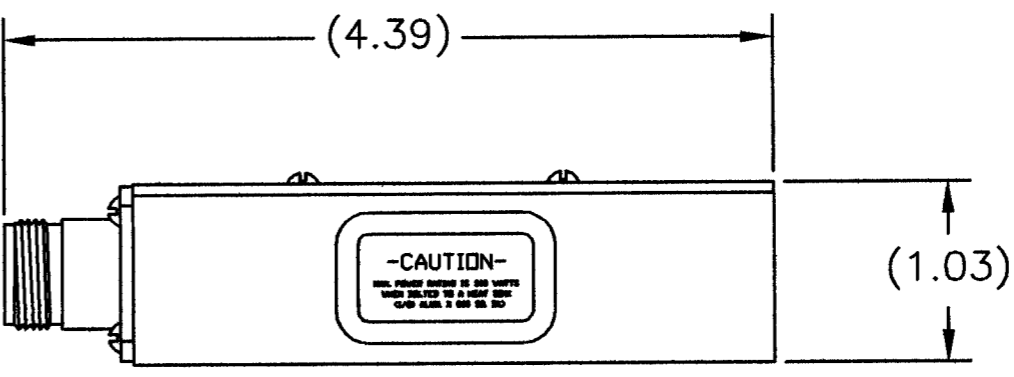
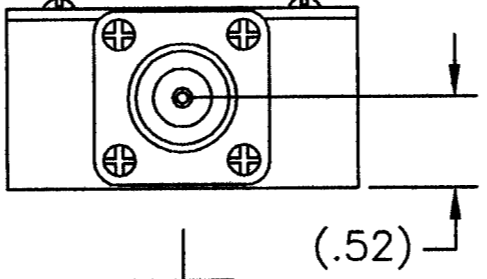
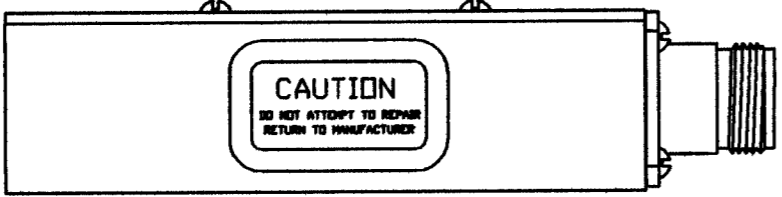
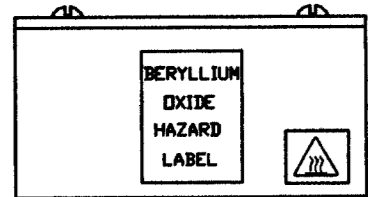
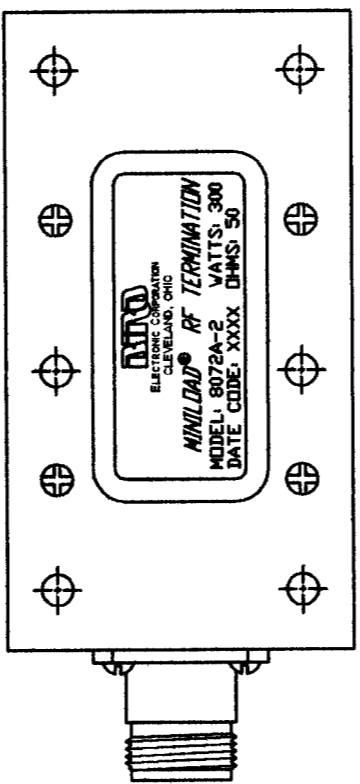
2

1

SPECIFICATIONS:

NOMINAL IMPEDANCE: 50 OHMS
 POWER RATING: 300 WATT CONTINUOUS, OR
 3.6kW PEAK POWER PULSE WITH
 100 μSEC MAX PW @ 1 kHz PRR, WHEN
 MOUNTED TO A HEAT SINK CAPABLE
 OF MAINTAINING A CASE TEMPERATURE
 OF 100°C MAX.
 FREQUENCY RANGE AND VSWR: 2.7 GHz TO 2.9 GHz AT 1.15:1 MAX.
 AMBIENT TEMPERATURE: -40°C TO +70°C
 CONNECTOR: N-TYPE FEMALE, TRI-ALLOW PLATED
 HOUSING: ALUMINUM, TRI-ALLOW PLATED (NON-MAGNETIC)
 NOMINAL SIZE: 4-25/64" X 2" X 1-1/32"
 WEIGHT: 12 OZ.
 MECHANICAL TOLERANCES: ±0.015

REVISIONS			DWG. NO.	SHEET	REV.
			8072A-2	1	C
ZONE	REV	DESCRIPTION	DATE	APPROVED	
A	ECN #0160		3-31-97	MRA	
B	ECN #0177		7-24-97	MRA	
C	ECN #0270		2-26-01	MRA	



- NOTES:
- ☒ 1. PART MUST BE BURR FREE.
 - ☒ 2. CHAMFER 1st THREAD.
 - ☒ 3. 63 MICRINCH UNLESS OTHERWISE SPECIFIED.
 - ☐ 4. PER BPS _____.
 - ☒ 5. .005 RADIUS ON ALL INSIDE & OUTSIDE CORNERS UNLESS OTHERWISE SPECIFIED.

DIMENSIONS HEREON ARE FOR CUSTOMER CONVENIENCE AND REFERENCE ONLY. TOLERANCE TO BE APPLIED ONLY WHERE INDIVIDUALLY STATED ON THE RESPECTIVE DIMENSION. -DO NOT SCALE DRAWING-

UNLESS OTHERWISE SPECIFIED DIMENSIONS ARE IN INCHES TOLERANCES ARE:		MILLIMETERS		THIS DRAWING IS THE PROPERTY OF THE BIRD ELECTRONIC CORPORATION. THE DESIGNS AND SPECIFICATIONS DISCLOSED HEREON ARE PROPRIETARY AND SHALL NOT BE REPRODUCED, NOR COPIED, NOR USED AS THE BASIS FOR THE MANUFACTURE OR SALE OF APPARATUS OR DEVICES WITHOUT THEIR EXPRESS WRITTEN CONSENT.		BIRD Electronic Corporation Cleveland (Solon) Ohio USA	
FRACTIONS	DECIMALS	ANGLES	.X = ±.4	APPROVALS		DATE	TITLE
± 1/64	.XX = ±.010	± 30'	.XX = ±.12	DRAWN		11-8-02	TERMINATION, N-TYPE FEMALE
DO NOT SCALE DRAWING				CHECKED			300W, 2.7 TO 2.9 GHz
MATERIAL		FINISH		APPROVED		1-13-03	SIZE FSCM NO. DWG. NO. REV
				MRA			C 70998 8072A-2 C
				AUTOCAD			SCALE 1:1 COMM CODE LD1 SHEET 1 OF 1

4

3

2

1